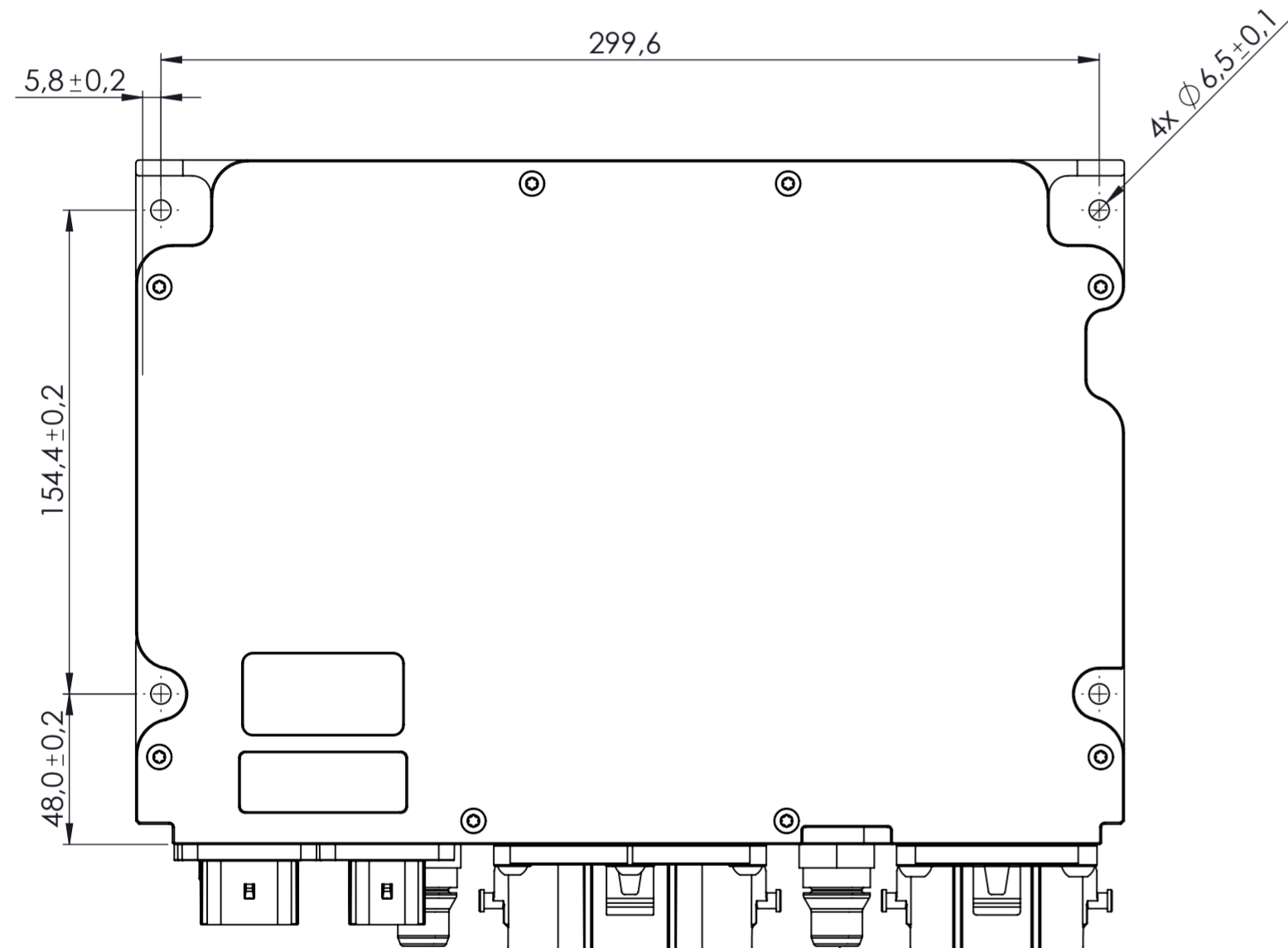
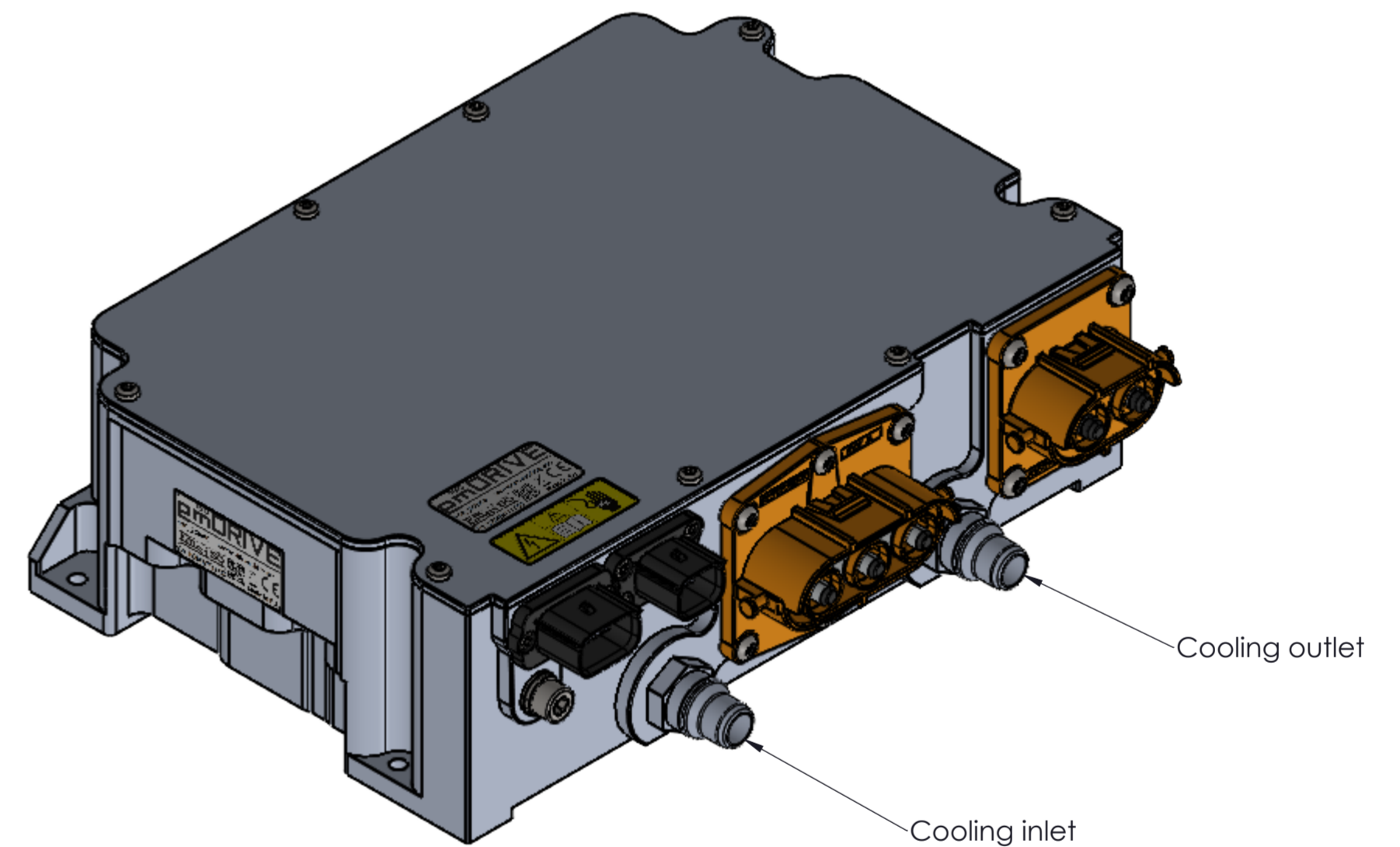


DETAIL A  
SCALE 2 : 1



2x VDA Screw-in nozzle NW12  
Nozzle mating: NORMAQUICK® PS3



**NOTES:**  
The master source of form data for this drawing is the 3D CAD model A15\_0001\_A and should be referred to for all unspecified features.  
Changes are not permitted without the prior consent of the engineering 3D CAD activity.

VERSION	CREATED BY	DATE	DESCRIPTION
A	Bohinec M.	17.02.2025	Initial version

OTHER SPECIFICATIONS	
WEIGHT	4500g-5000g
MATERIALS	COVER MATERIAL: EN- AW 5083 ENCLOSURE MATERIAL: AW 5083 HV CONNECTOR ACCORDING TO MANUFACTURER AMPHENOL SYSTEM AND FEEDBACK CONNECTORS: PBT-30GF
ASSEMBLING	MOUNTING SCREWS: -REQUEIRED DIAMETER:M6 -MAXIMUM TIGHTENING TORQUE :8,8NM GRAND SCREWS: -MAXIMUM TIGHTENING TORQUE:21,4NM
MOUNTING REQUIREMENT	MOUNTING SURFACE MUST BE: $\square$ 0,2

MATERIAL AND SPECIFICATION:	SURFACE FINISH:	EDGE CONDITION / STANJE ROBOV:	TOLERANCE OF OPEN DIMENSIONS:
MATERIAL IN SPECIFIKACIJE:	POVRŠINSKA OBDELAVA:	DEBURR/BREAK SHARP EDGES RAZGLI/POROKAJ OSTRE ROBOVE	TOLERANCE ODPRTIH DIMENZIJ: ISO 2768 - mK (medium)
SURFACE / POVRŠINA sq mm	SCALE / MERILO: 1:2	TITLE / NAZIV:	emDrive H20B LC
MASS / MASA g	CREATED BY / IZDELAL/A: Bohinec M.	DATE / DATUM: 17.02.2025	<p>THIS DOCUMENT IS THE PROPERTY OF EMSISO D.O.O. AND SHALL NOT BE COPIED OR DISTRIBUTED WITHOUT WRITTEN PERMISSION. TA DOKUMENT JE LAST DRUŽBE EMSISO D.O.O. IN SE NE SME KOPIRATI ALI DISTRIBUIRATI BREZ PISNEGA DOVOLJENJA.</p> <p><b>DIMENSIONS ARE IN mm UNLESS OTHERWISE STATED</b> MERE SO V mm, RAZEN ČE NI NAVEDENO DRUGAČE</p>
<p>APPROVED BY / ODOBRL/A: Polutnik A.</p> <p>FORMAT: A2</p>	<p>CAD: SOLIDWORKS</p> <p>PAGE / STRAN: 1/1</p>	<p>PART NO. / ŠTEVILKA DELA: A15_0001</p> <p>Rev. / IZDAJA: A</p>	